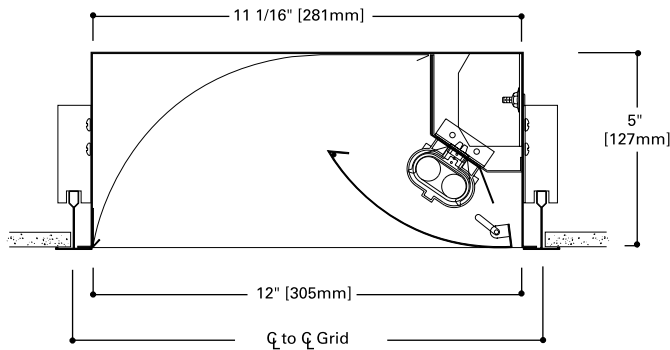
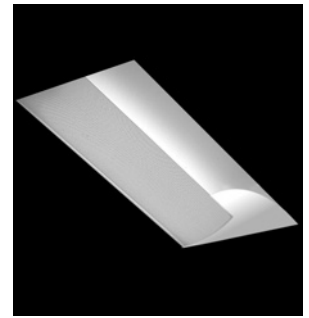


DIMENSIONS



DESCRIPTION

A graceful arched housing with elegantly contoured perforated lamp diffuser. This luminaire has no visible lamps, fasteners, hardware, or glaring reflectors, just soft, diffused, wall lighting. "The Fenestra" Series 112R/114R/BX a totally soft wide distribution wall light. The precisely crafted components provide for a high-tech appearance and a low tolerance fit. These elements combined make the NEO-RAY Fenestra Series 112R/114R/BX an appropriate luminaire for application for lighting walls in executive offices, private offices, conference rooms, corridors, open office spaces, VDT workspaces, reception areas, and dining spaces.

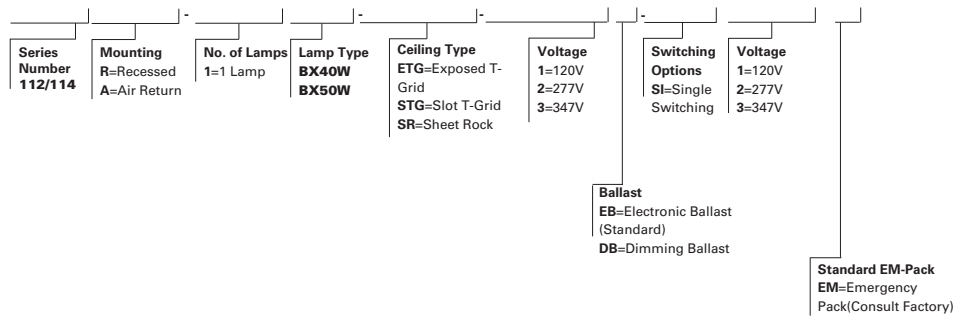


FENESTRA SERIES 112R/114R

AMBIENT WALL WASH RECESSED

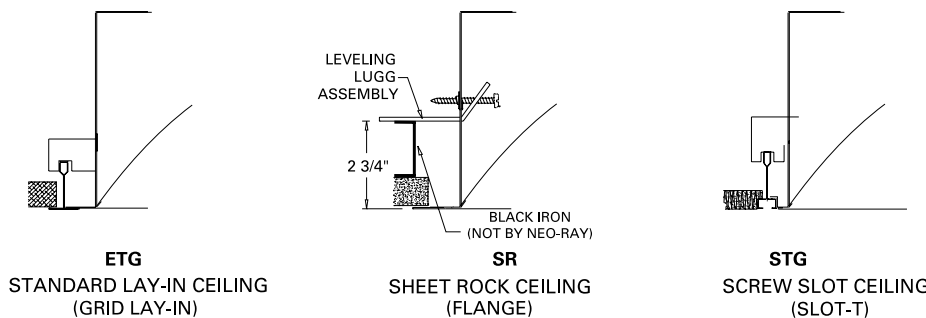
ORDERING INFORMATION

SAMPLE NUMBER: 112R-1BX40W-48-2EB-SI

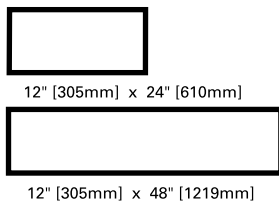


- Recessed mounting for T-grid, sheetrock ceiling and slot tee 9/16". Can be mounted end to end or side by side.
- 20 ga. steel housing. 24 ga. steel reflector.
- Baked on low gloss white powder coated polyester finish.
- 1' x 2' or 1' x 4' configurations
- Shielding panels consist of perforated metal shielding panels backed by a white acrylic difusser. (1) or (2) T5 or T5HO.
- (1) or (2) 40W or 50W biaxial lamps (Philips Recommended) (not by NEO-RAY).
- 120, 277 or 347 Volt, electronic ballast.
- Consult factory for dimming and emergency options.
- UL Listed, C-UL Listed

TYPICAL MOUNTING INFORMATION SERIES 211R/214R



STANDARD LUMINAIRE SECTION



NOTES: For complete product data, refer to the NEO-Ray Specification Binder. Specifications and dimensions subject to change without notice. Products available in non-US voltages and frequencies for international markets. Consult your Cooper Lighting Representative for availability and ordering information.